

## AV-D30 (A Series) Dynamic Mount Arm

Tilt and swivel · Single arm · Locking

### Features

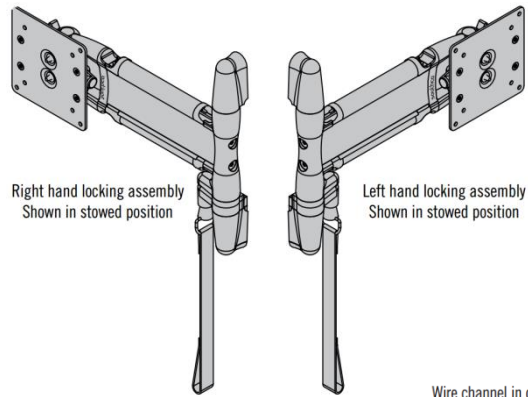
- Intuitive grab and move operation enhances the user experience
- No knobs or tools required to reposition the display
- Precise control of operating effort ensures ideal “feel” and eliminates “drift”
- Holds securely, even in applications with dynamic loading
- Locking mechanism in stowed position
- Low profile in the stowed position
- Folds to within 50 mm of the wall
- Snap-open channels simplify wire management
- Easy display installation and replacement
- Factory assembled and ready for use
- Factory assembled and ready for use
- VESA MIS-D, 100, C compliant
- Available in black or white

### Material

- Aluminum alloy, powder coated

### Product Performance

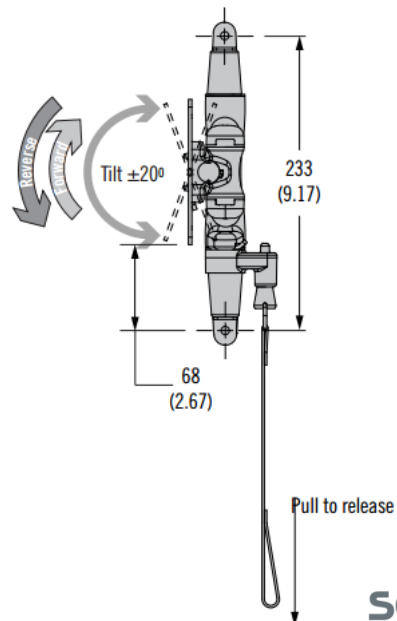
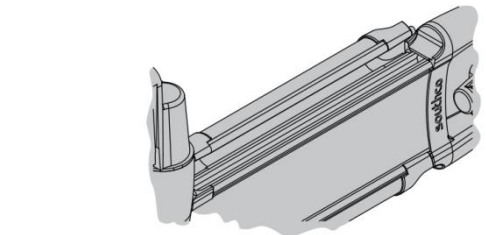
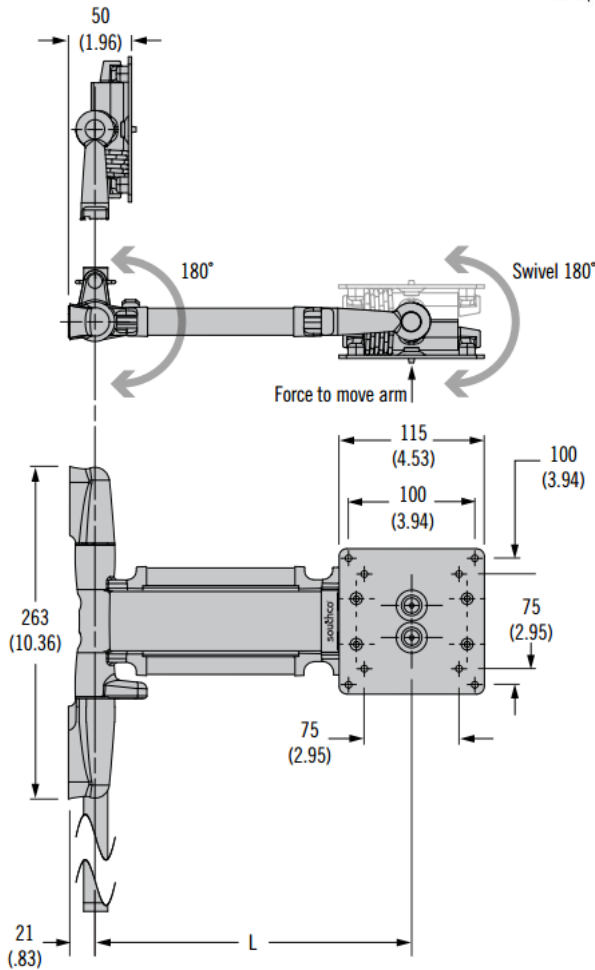
- Cycle performance: : 20,000 cycles within  $\pm 20\%$  of static torque specification
- Max. dynamic working load:
  - Model 101 and 103: 66 N
  - Model 102: 98 N
- Average ultimate load: see table



Right hand locking assembly  
Shown in stowed position

Left hand locking assembly  
Shown in stowed position

Wire channel in open position.



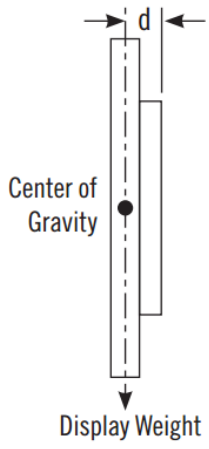
southco®

We are proud to be Southco's authorized distributor of over 20 years

## Specification and Selection

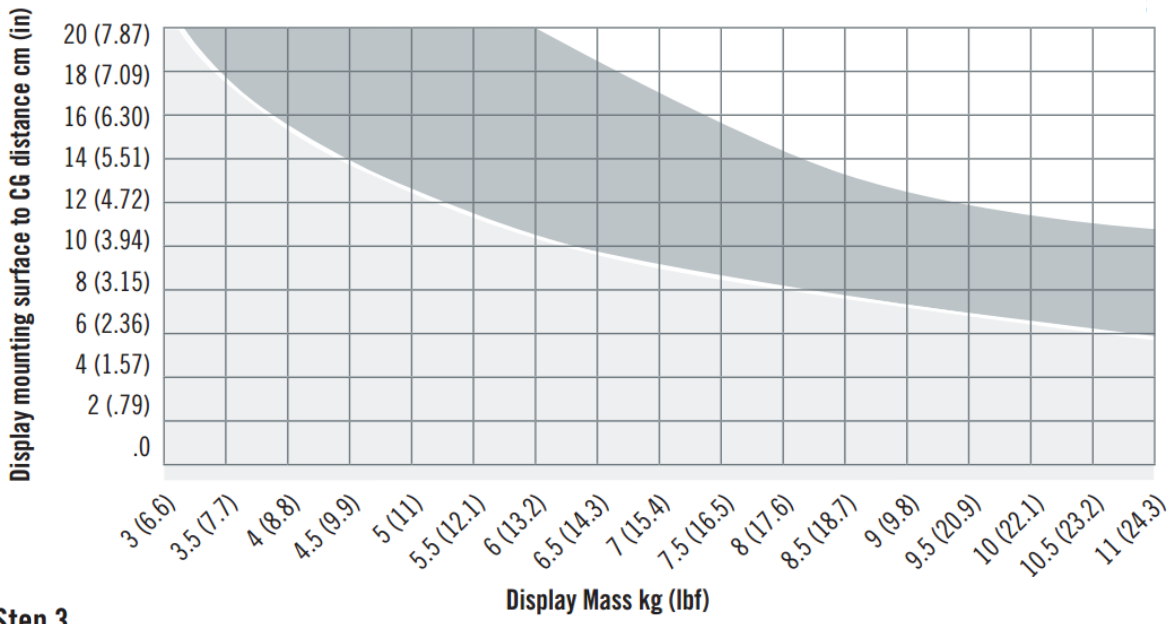
### Step 1

Determine display weight and distance (d) from mounting surface to center of gravity.



### Step 2

Use chart below to select model (101, 102 or 103).



### Step 3

Complete part number by selecting length and color options below.

AV - D30 - **K** A **L** **S** - **F**

<b>K</b>	Length (L)	Average ultimate load N (lbf)
15	150 (5.9)	2000 (450)
25	250 (9.8)	1200 (270)
35	350 (13.8)	850 (190)
45	450 (17.7)	660 (150)

<b>F</b>	Color
50	Black
76	White

<b>L</b>	Rotational Lock
C	Left hand locking
R	Right hand locking

Model <b>S</b>	Force to move arm N (lbf)	Tilt Torque N•m (in lbf)		Swivel Torque N•m (in lbf)
		Reverse	Forward	
101	22.2 (5)	7.9 (70)	1.13 (10)	2.3 (20)
102	33.8 (7.6)	15.4 (136)	2.26 (20)	3.4 (30)
103	33.8 (7.6)	8.6 (76)	6.0 (53)	3.4 (30)